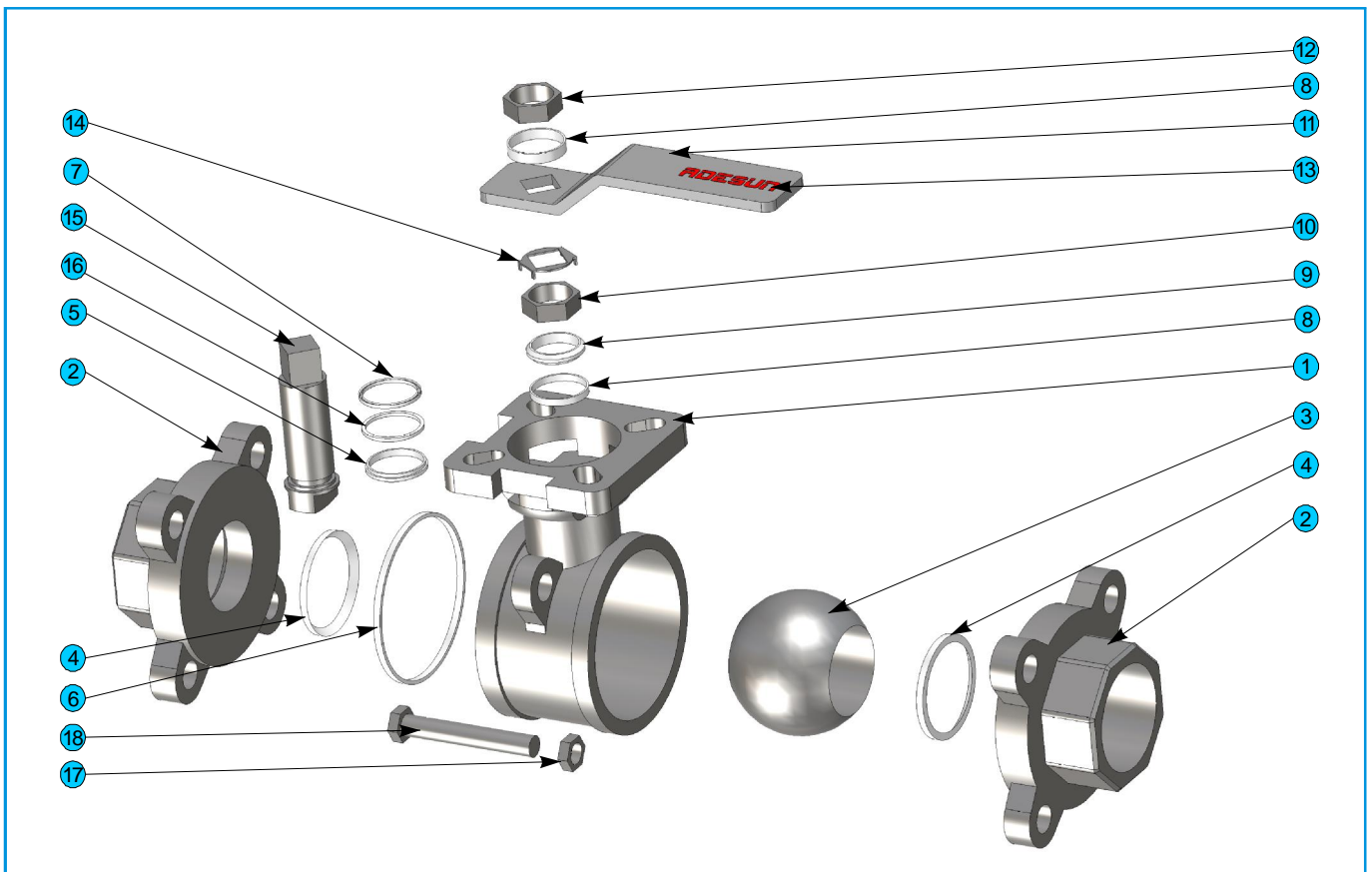




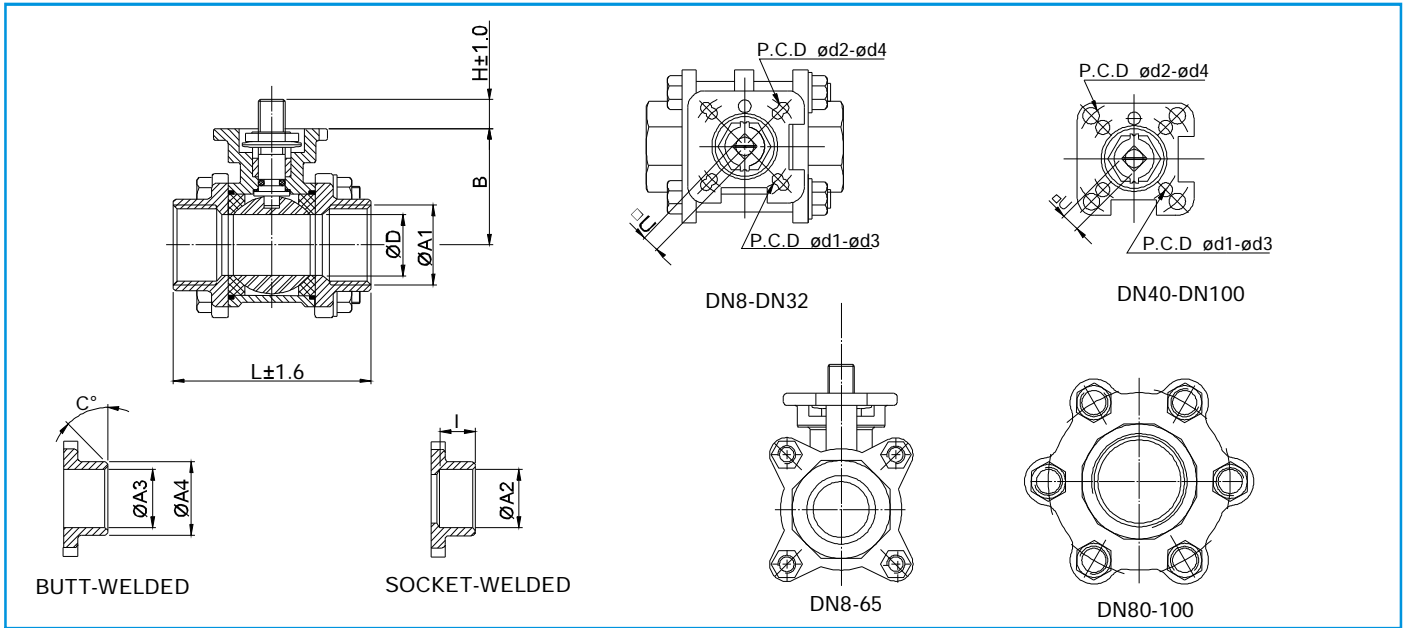
三片式, ISO5211高平台, 全流量球阀
Three pieces, ISO5211 pad direct, full bore ball valve

标准规范 STANDARD SPECIFICATION

- ★设计规范 Design:
ASME B16.34, EN 12266-1
- ★结构长度 Face to Face:
DIN 3202
- ★检验与测试 Inspection and Testing:
EN12266-1



| 序号 NO. | 零件名称 PART NAME | 材质 MATERIAL | | | 序号 NO. | 零件名称 PART NAME | 材质 MATERIAL | | |
|--------|-------------------|-------------|-----|-----|--------|-----------------|-------------|-------|------|
| 1 | 阀体/BODY | CF8M | CF8 | WCB | 10 | 六角片/GLAND NUT | A2-70 | A2-70 | WCB |
| 2 | 阀盖/END CAP | CF8M | CF8 | WCB | 11 | 把手/HANDLE | CF8 | CF8 | WCB |
| 3 | 钢球/BALL | CF8M | CF8 | CF8 | 12 | 把手螺帽/HANDLE NUT | CF8 | CF8 | WCB |
| 4 | 球垫/SEAT | PTFE | | | 13 | 品牌/LOGO | ADESUN | | |
| 5 | 小薄片/THRUST WASHER | PTFE | | | 14 | 凸华司/TAB WASHER | SUS304 | | |
| 6 | 大薄片/GASKET | PTFE | | | 15 | 中轴/STEM | CF8 | CF8 | WCB |
| 7 | 中口/STEM PACKING | PTFE | | | 16 | O型圈/O-RING | VITON | | |
| 8 | 环套/GLAND | SUS304 | | | 17 | 固定螺帽/HEX NUT | A2-70 | A2-70 | S45C |
| 9 | 笠华司/DISC SPRING | SUS301 | | | 18 | 固定螺丝/HEX BOLT | S45C | | |



外形尺寸 Dimensions

| SIZE | ØD | L | H | □ U | ISO 5211 | ød1 | ød2 | ød3 | ød4 | øA1 | øA2 | l | øA3 | øA4 | C° | B |
|-------|------|-----|------|-----|----------|-----|-----|-----|------|--------|--------|------|------|-----|----|------|
| DN8 | 11.2 | 60 | 7.6 | 9 | F03 | 36 | | 5.5 | | 1/4" | 14.22 | 11.1 | 11.4 | 14 | 37 | 32.4 |
| DN10 | 12.7 | 60 | 7.6 | 9 | F03/F04 | 36 | 42 | 5.5 | 5.5 | 3/8" | 17.52 | 11.1 | 12.7 | 18 | 37 | 32.4 |
| DN15 | 15 | 75 | 8.6 | 9 | F03/F04 | 36 | 42 | 5.5 | 5.5 | 1/2" | 21.71 | 12.7 | 15.9 | 22 | 37 | 40.5 |
| DN20 | 20 | 80 | 9.6 | 9 | F03/F04 | 36 | 42 | 5.5 | 5.5 | 3/4" | 27.05 | 14.3 | 20.6 | 28 | 37 | 50.5 |
| DN25 | 25 | 90 | 12.5 | 11 | F04/F05 | 42 | 50 | 5.5 | 6.5 | 1" | 33.78 | 15.9 | 25 | 35 | 37 | 56.5 |
| DN32 | 31.8 | 110 | 12.6 | 11 | F04/F05 | 42 | 50 | 5.5 | 6.5 | 1 1/4" | 42.54 | 17.5 | 32 | 44 | 37 | 60 |
| DN40 | 38.1 | 120 | 16.1 | 14 | F05/F07 | 50 | 70 | 6.5 | 8.5 | 1 1/2" | 48.64 | 19.1 | 40 | 50 | 37 | 77 |
| DN50 | 50 | 140 | 16.8 | 14 | F05/F07 | 50 | 70 | 6.5 | 8.5 | 2" | 61.11 | 22.2 | 50.8 | 62 | 37 | 84 |
| DN65 | 65 | 185 | 18 | 17 | F07/F10 | 70 | 102 | 8.5 | 10.5 | 2 1/2" | 73.81 | 29.5 | 65 | 77 | 30 | 101 |
| DN80 | 76 | 205 | 18 | 17 | F07/F10 | 70 | 102 | 8.5 | 10.5 | 3" | 90.2 | 31 | 80 | 91 | 30 | 111 |
| DN100 | 100 | 240 | 18 | 17 | F07/F10 | 70 | 102 | 8.5 | 10.5 | 4" | 115.06 | 39 | 100 | 117 | 30 | 131 |

扭矩 (不含安全系数) TORQUES (UN INCLUDING SAFETY FACTOR)

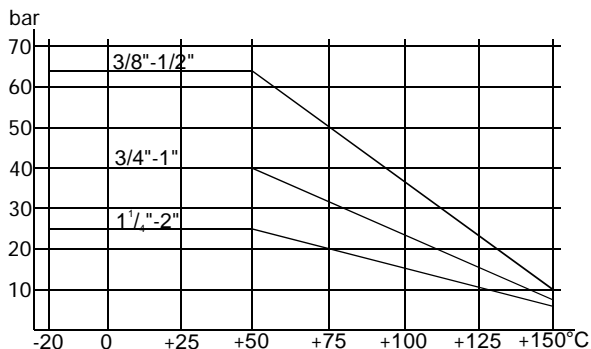
| SIZE 尺寸 | DN15 | DN20 | DN25 | DN32 | DN40 | DN50 | DN65 | DN80 | DN100 | DN125 | DN150 | DN200 |
|------------------|------|------|------|------|------|------|------|------|-------|-------|-------|-------|
| TORQUE 扭矩(Nm) | 5 | 8 | 10 | 16 | 23 | 30 | 64 | 103 | 129 | 323 | 380 | 487 |

CV

| SIZE | 0° | 10° | 20° | 30° | 40° | 50° | 60° | 70° | 80° | 90° |
|-------|----|-------|--------|---------|---------|---------|---------|---------|---------|---------|
| DN15 | 0 | 0.05 | 2.35 | 6.00 | 10.36 | 15.17 | 20.29 | 25.62 | 31.07 | 36.57 |
| DN20 | 0 | 0.10 | 4.39 | 11.18 | 19.30 | 28.27 | 37.81 | 47.73 | 57.88 | 68.14 |
| DN25 | 0 | 0.16 | 7.04 | 17.93 | 30.96 | 45.36 | 60.67 | 76.58 | 92.87 | 109.32 |
| DN32 | 0 | 0.28 | 11.91 | 30.32 | 52.34 | 76.66 | 102.54 | 129.44 | 156.97 | 184.77 |
| DN40 | 0 | 0.45 | 18.93 | 48.18 | 83.17 | 121.83 | 162.96 | 205.71 | 249.45 | 293.63 |
| DN50 | 0 | 0.75 | 31.33 | 79.75 | 137.68 | 201.67 | 269.73 | 340.50 | 412.90 | 486.03 |
| DN65 | 0 | 1.31 | 54.36 | 138.37 | 238.87 | 349.89 | 467.98 | 590.75 | 716.37 | 843.24 |
| DN80 | 0 | 1.98 | 82.31 | 209.51 | 361.66 | 529.76 | 708.55 | 894.44 | 1084.63 | 1276.72 |
| DN100 | 0 | 3.19 | 132.51 | 337.27 | 582.22 | 852.82 | 1140.66 | 1439.90 | 1746.08 | 2055.31 |
| DN125 | 0 | 5.13 | 212.99 | 542.11 | 935.82 | 1370.77 | 1833.41 | 2314.39 | 2806.52 | 3303.55 |
| DN150 | 0 | 7.62 | 316.34 | 805.15 | 1389.89 | 2035.88 | 2723.01 | 3437.36 | 4168.28 | 4906.47 |
| DN200 | 0 | 14.03 | 582.61 | 1482.88 | 2559.81 | 3749.55 | 5015.06 | 6330.70 | 7676.86 | 9036.41 |

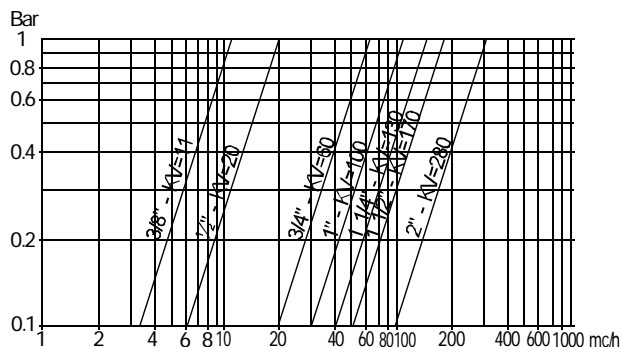
压力/温度曲线

PRESSURE/TEMPERATURE DIAGRAM



流量/压损和kv

FLOW/PRESSURE LOSS DIAGRAM AND KV NOMINAL COEFFICIENT



Kv值是流量系数，单位是m³/h (压差1bar 15°C的水)

Kv is the coefficient, expressed in m³/h (with water at 15°C causing a pressure loss of 1 bar.)

Art. 330系列三片式球阀选型表

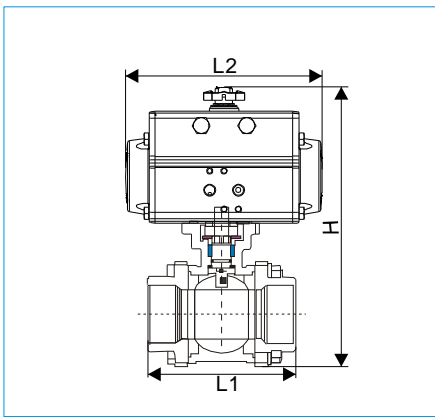
| | | | | | | |
|---------------|--|--|--|--|---|--|
| 330 | D | A | 010 | G | - | HABL |
| 系列号 | 驱动形式 operator H-手动手柄 manual handle D-气动双动 double acting S-气动单动 spring return E-电动开关型 on/off M-电动调节型 modulating W-光杆 Bare Shaft 3D-二段式气动双动 3D-Three position double acting 3S-二段式气动单动 3S-Three position single acting | 阀体材质: A-不锈钢316 B-不锈钢304 C-碳钢WCB | 口径: 010-DN10 015-DN15 020-DN20 025-DN25 032-DN32 040-DN40 050-DN50 065-DN65 080-DN80 | 连接形式: G-BSP英制牙 N-NPT美制牙 B-BW对焊式 S-SW套焊式 F-法兰端 K-卡箍连接 | - | 特别代码 special code 手动-空白 handle-Blank 光杆-空白 Bare Shaft-Blank |
| 备注：如有其他要求请详询。 | | | | | | |

阀体/Body: 不锈钢304/SS304、CF8、1.4308 (可选/Optional: 不锈钢316/SS316、CF8M、1.4408; 碳钢/Carbon steel、WCB、1.0619)

阀座/Seat: PTFE (可选/Optional: R-PTFE、PTFE+CARBON)

连接/Connection: BSP thread F/F (可选/Optional: NPT、PT)
(可选/Optional: 对焊/BW、套焊/SW)

配 **VALBIA** 气动执行器/with **VALBIA** pneumatic actuator



Art: 330DB***G - ***

口径 特别代码

双动/Double acting

| 型号 CODE | 330DB008G -VANG | 330DB010G -VANG | 330DB015G -VCNG | 330DB020G -VCNG | 330DB025G -VCNG | 330DB032G -VDNG | 330DB040G -VENG | 330DB050G -VENG | 330DB065G -VFNG | 330DB080G -VHNG |
|------------|--------------------|--------------------|--------------------|--------------------|--------------------|--------------------|--------------------|--------------------|--------------------|--------------------|
| DN | 8 | 10 | 15 | 20 | 25 | 32 | 40 | 50 | 65 | 80 |
| PN | 63 | 63 | 63 | 63 | 63 | 63 | 63 | 63 | 63 | 63 |
| ACT | DA32 | DA32 | DA52 | DA52 | DA52 | DA63 | DA75 | DA75 | DA85 | DA100 |
| H (mm) | 115 | 117 | 159 | 170 | 185 | 208 | 243 | 260 | 310 | 347 |
| L1 (mm) | 60 | 60 | 75 | 80 | 90 | 110 | 120 | 140 | 185 | 205 |
| L2 (mm) | 110 | 110 | 141 | 141 | 141 | 164 | 210 | 210 | 240.5 | 275 |
| 参考重量 (KG) | 0.7 | 1.5 | 1.8 | 2.3 | 3.1 | 3.6 | 4.5 | 6.3 | 8.5 | 12 |
| ¥ | | | | | | | | | | |

Art: 330SB***G - ***

口径 特别代码

单动/Single acting

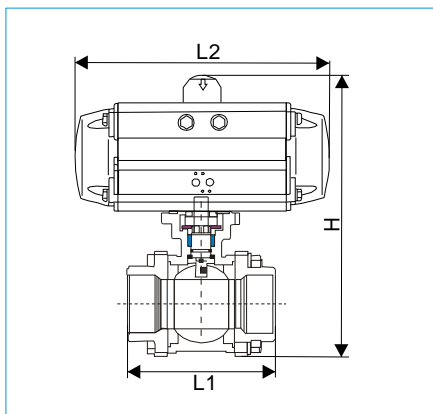
| 型号 CODE | 330SB008G -VCNG | 330SB010G -VCNG | 330SB015G -VDNG | 330SB020G -VDNG | 330SB025G -VENG | 330SB032G -VDNG | 330SB040G -VHNG | 330SB050G -VING | 330SB065G -VJNG | 330SB080G -VLNG |
|------------|--------------------|--------------------|--------------------|--------------------|--------------------|--------------------|--------------------|--------------------|--------------------|--------------------|
| DN | 8 | 10 | 15 | 20 | 25 | 32 | 40 | 50 | 65 | 80 |
| PN | 63 | 63 | 63 | 63 | 63 | 63 | 63 | 63 | 63 | 63 |
| ACT | SR52 | SR52 | SR63 | SR63 | SR75 | SR85 | SR100 | SR115 | SR125 | SR160 |
| H (mm) | 152 | 154 | 170 | 192 | 214 | 240 | 270 | 321 | 370 | 440 |
| L1 (mm) | 60 | 60 | 75 | 80 | 90 | 110 | 120 | 140 | 185 | 205 |
| L2 (mm) | 141 | 141 | 164 | 164 | 210 | 240.5 | 275 | 333 | 372 | 500 |
| 参考重量 (KG) | 1.5 | 1.7 | 2 | 2.5 | 3.5 | 4.8 | 6.5 | 8.8 | 14.5 | 18.8 |
| ¥ | | | | | | | | | | |

阀体/Body: 不锈钢304/SS304、CF8、1.4308 (可选/Optional: 不锈钢316/SS316、CF8M、1.4408; 碳钢/Carbon steel、WCB、1.0619)

阀座/Seat: PTFE (可选/Optional: R-PTFE、PTFE+CARBON)

连接/Connection: BSP thread F/F (可选/Optional: NPT、PT)
(可选/Optional: 对焊/BW、套焊/SW)

配 **ADESUN** 气动执行器/with **ADESUN** pneumatic actuator



Art: 330DB***G - ***

口径 特别代码

双动/Double acting

| 型号 CODE | 330DB008G -CCNG | 330DB010G -CCNG | 330DB015G -CCNG | 330DB020G -CCNG | 330DB025G -CDNG | 330DB032G -CDNG | 330DB040G -CENG | 330DB050G -CENG | 330DB065G -CGNG | 330DB080G -CHNG |
|------------|--------------------|--------------------|--------------------|--------------------|--------------------|--------------------|--------------------|--------------------|--------------------|--------------------|
| DN | 8 | 10 | 15 | 20 | 25 | 32 | 40 | 50 | 65 | 80 |
| PN | 63 | 63 | 63 | 63 | 63 | 63 | 63 | 63 | 63 | 63 |
| ACT | ACD050 | ACD050 | ACD050 | ACD050 | ACD063 | ACD063 | ACD075 | ACD075 | ACD090 | ACD100 |
| H (mm) | 131 | 133 | 138 | 150 | 183 | 194 | 232 | 249 | 298 | 336 |
| L1 (mm) | 60 | 60 | 75 | 80 | 90 | 110 | 120 | 140 | 185 | 205 |
| L2 (mm) | 154.5 | 154.5 | 154.5 | 154.5 | 168 | 168 | 219 | 219 | 249 | 274 |
| 参考重量 (KG) | 1.83 | 1.86 | 1.87 | 2.05 | 2.81 | 4.35 | 5.42 | 6.47 | 13.47 | 17.87 |
| ¥ | | | | | | | | | | |

Art: 330SB***G - ***

口径 特别代码

单动/Single acting

| 型号 CODE | 330SB008G -CCNG | 330SB010G -CCNG | 330SB015G -CCNG | 330SB020G -CDNG | 330SB025G -CENG | 330SB032G -CGNG | 330SB040G -CHNG | 330SB050G -CHNG | 330SB065G -CING | 330SB080G -CKNG |
|------------|--------------------|--------------------|--------------------|--------------------|--------------------|--------------------|--------------------|--------------------|--------------------|--------------------|
| DN | 8 | 10 | 15 | 20 | 25 | 32 | 40 | 50 | 65 | 80 |
| PN | 63 | 63 | 63 | 63 | 63 | 63 | 63 | 63 | 63 | 63 |
| ACT | ACS050 | ACS050 | ACS050 | ACS063 | ACS075 | ACS090 | ACS100 | ACS100 | ACS0115 | ACS145 |
| H (mm) | 131 | 133 | 138 | 168 | 204 | 228 | 259 | 276 | 325 | 400 |
| L1 (mm) | 60 | 60 | 75 | 80 | 90 | 110 | 120 | 140 | 185 | 205 |
| L2 (mm) | 154.5 | 154.5 | 154.5 | 168 | 219 | 249 | 274 | 274 | 315 | 417 |
| 参考重量 (KG) | 1.93 | 1.96 | 1.97 | 2.15 | 3.01 | 5.92 | 6.05 | 8.37 | 15.97 | 25.87 |
| ¥ | | | | | | | | | | |

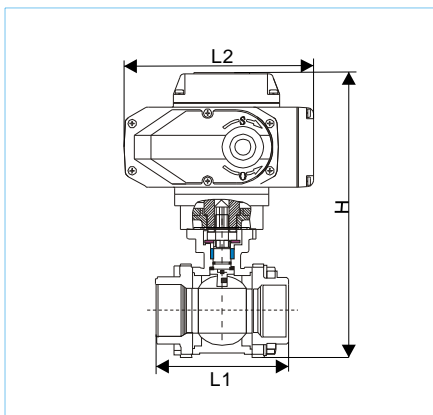
阀体/Body: 不锈钢304/SS304、CF8、1. 4308 (可选/Optional: 不锈钢316/SS316、CF8M、1. 4408; 碳钢/Carbon steel、WCB、1. 0619)

阀座/Seat: PTFE (可选/Optional: R-PTFE、PTFE+CARBON)

连接/Connection: BSP thread F/F (可选/Optional: NPT、PT)
(可选/Optional: 对焊/BW、套焊/SW)

电压/Voltage: 220VAC (可选/Optional: 12VAC/DC、24VAC/DC)

Art: 330EB*G - *****
口径 特别代码



开关型/On-off-model

| 型号 CODE | 330EB008G- **** | 330EB010G -**** | 330EB015G- **** | 330EB020G- **** | 330EB025G- **** | 330EB032G- **** | 330EB040G- **** | 330EB050G- **** | 330EB065G- **** | 330EB080G- **** |
|--|------------------------|------------------------|------------------------|------------------------|------------------------|------------------------|------------------------|------------------------|------------------------|------------------------|
| DN | 8 | 10 | 15 | 20 | 25 | 32 | 40 | 50 | 65 | 80 |
| PN | 63 | 63 | 63 | 63 | 63 | 63 | 63 | 63 | 63 | 63 |
| ACT | VB030 | VB030 | VB030 | VB030 | VB030 | VB030 | VB060 | VB060 | VB110 | VB190 |
| H (mm) | 295.5 | 305.5 | 286.25 | 340 | 351.5 | 388.3 | 452.25 | 468 | 501.5 | 546 |
| L1 (mm) | 60 | 60 | 75 | 80 | 90 | 110 | 120 | 140 | 185 | 205 |
| L2 (mm) | 187 | 187 | 187 | 187 | 187 | 187 | 266 | 266 | 266 | 266 |
| 12VAC/DC 开关型 / On Off model 12VAC/DC | | | | | | | | | | |
| 型号 CODE | 330EB008G- 86L10003 | 330EB010G -86L10003 | 330EB015G- 86L10003 | 330EB020G- 86L10003 | 330EB025G- 86L10003 | 330EB032G- 86L10003 | 330EB040G- 86L10006 | 330EB050G- 86L10006 | 330EB065G- 86L10011 | 330EB080G- 86L10019 |
| Y | | | | | | | | | | |
| 24VAC/DC 开关型 / On Off model 24VAC/DC | | | | | | | | | | |
| 型号 CODE | 330EB008G- 86L00003 | 330EB010G -86L00003 | 330EB015G- 86L00003 | 330EB020G- 86L00003 | 330EB025G- 86L00003 | 330EB032G- 86L00003 | 330EB040G- 86L00006 | 330EB050G- 86L00006 | 330EB065G- 86L00011 | 330EB080G- 86L00019 |
| Y | | | | | | | | | | |
| 220VAC/DC 开关型 / On Off model 220VAC/DC | | | | | | | | | | |
| 型号 CODE | 330EB008G- 86H00003 | 330EB010G -86H00003 | 330EB015G- 86H00003 | 330EB020G- 86H00003 | 330EB025G- 86H00003 | 330EB032G- 86H00003 | 330EB040G- 86H00006 | 330EB050G- 86H00006 | 330EB065G- 86H00011 | 330EB080G- 86H00019 |
| Y | | | | | | | | | | |

阀体/Body: 不锈钢304/SS304、CF8、1. 4308 (可选/Optional: 不锈钢316/SS316、CF8M、1. 4408; 碳钢/Carbon steel、WCB、1. 0619)

阀座/Seat: PTFE (可选/Optional: R-PTFE、PTFE+CARBON)

连接/Connection: BSP thread F/F (可选/Optional: NPT、PT)
(可选/Optional: 对焊/BW、套焊/SW)

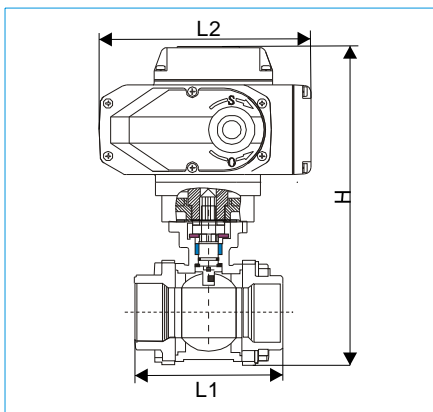
电压/Voltage: 220VAC (可选/Optional: 12VAC/DC、24VAC/DC)

带4-20mA输入/输出信号/with 4-20mA input/output signal

(可选/Optional: 1-5VDC输入信号/1-5VDC input signal)

Art: 330MB*G - *****
口径 特别代码

调节型/Modulating model



| 型号 CODE | 330MB008G- **** | 330MB010G -**** | 330MB015G- **** | 330MB020G- **** | 330MB025G- **** | 330MB032G- **** | 330MB040G- **** | 330MB050G- **** | 330MB065G- **** | 330MB080G- **** |
|--|------------------------|------------------------|------------------------|------------------------|------------------------|------------------------|------------------------|------------------------|------------------------|------------------------|
| DN | 8 | 10 | 15 | 20 | 25 | 32 | 40 | 50 | 65 | 80 |
| PN | 63 | 63 | 63 | 63 | 63 | 63 | 63 | 63 | 63 | 63 |
| ACT | VB030 | VB030 | VB030 | VB030 | VB030 | VB030 | VB060 | VB060 | VB110 | VB190 |
| H (mm) | 295.5 | 305.5 | 286.25 | 340 | 351.5 | 388.3 | 452.25 | 468 | 501.5 | 546 |
| L1 (mm) | 60 | 60 | 75 | 80 | 90 | 110 | 120 | 140 | 185 | 205 |
| L2 (mm) | 187 | 187 | 187 | 187 | 187 | 187 | 197 | 197 | 266 | 266 |
| 12VAC/DC 调节型 / Modulating model 12VAC/DC | | | | | | | | | | |
| 型号 CODE | 330MB008G- 86L10603 | 330MB010G -86L10603 | 330MB015G- 86L10603 | 330MB020G- 86L10603 | 330MB025G- 86L10603 | 330MB032G- 86L10603 | 330MB040G- 86L10606 | 330MB050G- 86L10606 | 330MB065G- 86L10611 | 330MB080G- 86L10619 |
| Y | | | | | | | | | | |
| 24VAC/DC 调节型 / Modulating model 24VAC/DC | | | | | | | | | | |
| 型号 CODE | 330MB008G- 86L00603 | 330MB010G -86L00003 | 330MB015G- 86L00603 | 330MB020G- 86L00603 | 330MB025G- 86L00603 | 330MB032G- 86L00603 | 330MB040G- 86L00606 | 330MB050G- 86L00606 | 330MB065G- 86L00611 | 330MB080G- 86L00619 |
| Y | | | | | | | | | | |
| 220VAC/DC 调节型 / Modulating model 220VAC/DC | | | | | | | | | | |
| 型号 CODE | 330MB008G- 86H00603 | 330MB010G -86H00603 | 330MB015G- 86H00603 | 330MB020G- 86H00603 | 330MB025G- 86H00603 | 330MB032G- 86H00603 | 330MB040G- 86H00606 | 330MB050G- 86H00606 | 330MB065G- 86H00611 | 330MB080G- 86H00619 |
| Y | | | | | | | | | | |



阀体/Body: 不锈钢304/SS304、CF8、1. 4308 (可选/Optional: 不锈钢316/SS316、CF8M、1. 4408; 碳钢/Carbon steel、WCB、1. 0619)

阀座/Seat: PTFE (可选/Optional: R-PTFE、PTFE+CARBON)

连接/Connection: BSP thread F/F (可选/Optional: NPT、PT)
(可选/Optional: 对焊/BW、套焊/SW)

电压/Voltage: 220VAC、24VDC、380VAC (可选/Optional: 110VAC)

Art: 330EB***G - ***

口径 特别代码

开关型/On-off-model

| 型号 CODE | 330EB008G -HABG | 330EB010G -HABG | 330EB015G -HABG | 330EB020G -HABG | 330EB025G -HABG | 330EB032G -HABG | 330EB040G -HABG | 330EB050G -HABG | 330EB065G -HCAG | 330EB080G -HDAG |
|------------|--------------------|--------------------|--------------------|--------------------|--------------------|--------------------|--------------------|--------------------|--------------------|--------------------|
| DN | 8 | 10 | 15 | 20 | 25 | 32 | 40 | 50 | 65 | 80 |
| PN | 63 | 63 | 63 | 63 | 63 | 63 | 63 | 63 | 63 | 63 |
| ACT | AEA-02 | AEA-02 | AEA-02 | AEA-02 | AEA-05 | AEA-05 | AEA-05 | AEA-05 | AEA-10 | AEA-20 |
| H (mm) | 167 | 169 | 204 | 186 | 216 | 228 | 244 | 261 | 318 | 385 |
| L1 (mm) | 60 | 60 | 75 | 80 | 90 | 110 | 120 | 140 | 185 | 205 |
| L2 (mm) | 72 | 72 | 72 | 72 | 160 | 160 | 160 | 160 | 196 | 255 |
| 参考重量 (KG) | 1.93 | 1.96 | 1.97 | 2.15 | 3.21 | 4.62 | 4.75 | 5.67 | 12.47 | 15.47 |

有源触点 / Active contact

| | | | | | | | | | | |
|---|--|--|--|--|--|--|--|--|--|--|
| ¥ | | | | | | | | | | |
|---|--|--|--|--|--|--|--|--|--|--|

无源触点 / Dry contact

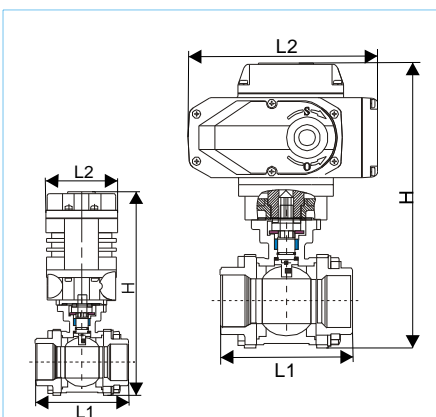
| 型号 CODE | 330EB008G -HABG | 330EB010G -HABG | 330EB15G- HABG | 330EB020G -HABG | 330EB025G -HBBG | 330EB032G -HBBG | 330EB040G -HBBG | 330EB050G -HBBG | 330EB065G -HCBG | 330EB080G -HDBG |
|------------|--------------------|--------------------|-------------------|--------------------|--------------------|--------------------|--------------------|--------------------|--------------------|--------------------|
| ¥ | | | | | | | | | | |

24VDC

| 型号 CODE | 330EB008G -HAGG | 330EB010G -HAGG | 330EB15G- HAGG | 330EB020G -HAGG | 330EB025G -HBGG | 330EB032G -HBGG | 330EB040G -HBGG | 330EB050G -HBGG | 330EB065G -HCGG | 330EB080G -HDGG |
|------------|--------------------|--------------------|-------------------|--------------------|--------------------|--------------------|--------------------|--------------------|--------------------|--------------------|
| ¥ | | | | | | | | | | |

380VAC

| 型号 CODE | 330EB008G -HBHG | 330EB010G -HBHG | 330EB15G- HBHG | 330EB020G -HBHG | 330EB025G -HBHG | 330EB032G -HBHG | 330EB040G -HBHG | 330EB050G -HBHG | 330EB065G -HCHG | 330EB080G -HDHG |
|------------|--------------------|--------------------|-------------------|--------------------|--------------------|--------------------|--------------------|--------------------|--------------------|--------------------|
| ACT | AEA-05H | AEA-05H | AEA-05H | AEA-05H | AEA-05H | AEA-05H | AEA-05H | AEA-05H | AEA-10H | AEA-20H |
| H (mm) | 182.5 | 184.5 | 190 | 233 | 216 | 228 | 244 | 261 | 318 | 385 |
| L1 (mm) | 75 | 75 | 75 | 80 | 90 | 110 | 120 | 140 | 185 | 205 |
| L2 (mm) | 160 | 160 | 160 | 160 | 160 | 160 | 160 | 160 | 196 | 255 |
| 参考重量 (KG) | 2.73 | 2.76 | 2.77 | 2.95 | 3.21 | 4.62 | 4.75 | 5.67 | 12.47 | 15.47 |
| ¥ | | | | | | | | | | |



阀体/Body: 不锈钢304/SS304、CF8、1. 4308 (可选/Optional: 不锈钢316/SS316、CF8M、1. 4408; 碳钢/Carbon steel、WCB、1. 0619)

阀座/Seat: PTFE (可选/Optional: R-PTFE、PTFE+CARBON)

连接/Connection: BSP thread F/F (可选/Optional: NPT、PT)
(可选/Optional: 对焊/BW、套焊/SW)

电压/Voltage: 220VAC (可选/Optional: 110VAC)

带4-20mA输入/输出信号/with 4-20mA input/output signal

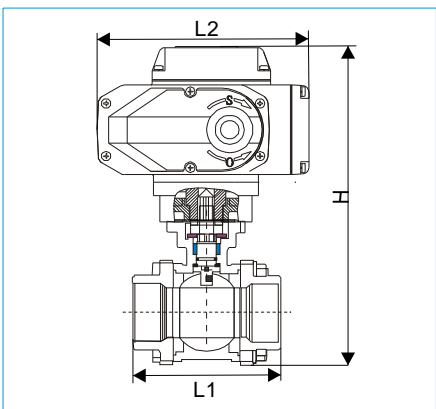
(可选/Optional: 1-5VDC输入信号/1-5VDC input signal)

Art: 330MB***G - ****

口径 特别代码

调节型/Modulating model

| 型号 CODE | 330MB008G -HAEG | 330MB010G -HAEG | 330MB015G -HAEG | 330MB020G -HAEG | 330MB025G -HBEG | 330MB032G -HBEG | 330MB040G -HBEG | 330MB050G -HBEG | 330MB065G -HCEG | 330MB080G -HDEG |
|------------|--------------------|--------------------|--------------------|--------------------|--------------------|--------------------|--------------------|--------------------|--------------------|--------------------|
| DN | 8 | 10 | 15 | 20 | 25 | 32 | 40 | 50 | 65 | 80 |
| PN | 63 | 63 | 63 | 63 | 63 | 63 | 63 | 63 | 63 | 63 |
| ACT | AEA-02E | AEA-02E | AEA-02E | AEA-02E | AEA-05E | AEA-05E | AEA-05E | AEA-05E | AEA-10E | AEA-20E |
| H (mm) | 182.5 | 184.5 | 190 | 233 | 216 | 228 | 244 | 261 | 318 | 385 |
| L1 (mm) | 60 | 60 | 75 | 80 | 90 | 110 | 120 | 140 | 185 | 205 |
| L2 (mm) | 160 | 160 | 160 | 160 | 160 | 160 | 160 | 160 | 196 | 255 |
| 参考重量 (KG) | 2.73 | 2.76 | 2.77 | 2.95 | 3.21 | 4.62 | 4.75 | 5.67 | 12.47 | 15.47 |
| ¥ | | | | | | | | | | |



阀体/Body: 不锈钢304/SS304、CF8、1. 4308 (可选/Optional: 不锈钢316/SS316、CF8M、1. 4408; 碳钢/Carbon steel、WCB、1. 0619)

阀座/Seat: PTFE (可选/Optional: R-PTFE、PTFE+CARBON)

连接/Connection: BSP thread F/F (可选/Optional: NPT、PT)
(可选/Optional: 对焊/BW、套焊/SW)

防爆等级/Ex marking: Ex dIIB T4 GB

电压/Voltage: 220VAC、24VDC、380VAC (可选/Optional: 110VAC)

Art: 330EB***G - ***-EX

口径 特别代码

开关型/On-off-model

| 型号 CODE | 330EB008G- HBAG-EX | 330EB010G- HBAG-EX | 330EB015G- HBAG-EX | 330EB020G- HBAG-EX | 330EB025G- HBAG-EX | 330EB032G- HBAG-EX | 330EB040G- HBAG-EX | 330EB050G- HBAG-EX | 330EB065G- HCAG-EX | 330EB080G- HDAG-EX |
|------------|-----------------------|-----------------------|-----------------------|-----------------------|-----------------------|-----------------------|-----------------------|-----------------------|-----------------------|-----------------------|
| DN | 8 | 10 | 15 | 20 | 25 | 32 | 40 | 50 | 65 | 80 |
| PN | 63 | 63 | 63 | 63 | 63 | 63 | 63 | 63 | 63 | 63 |
| ACT | AEA-EX05 | AEA-EX05 | AEA-EX05 | AEA-EX05 | AEA-EX05 | AEA-EX05 | AEA-EX05 | AEA-EX05 | AEA-EX10 | AEA-EX20 |
| H (mm) | 167 | 169 | 204 | 186 | 216 | 228 | 244 | 261 | 318 | 385 |
| L1 (mm) | 60 | 60 | 75 | 80 | 90 | 110 | 120 | 140 | 185 | 205 |
| L2 (mm) | 72 | 72 | 72 | 72 | 160 | 160 | 160 | 160 | 196 | 255 |
| 参考重量 (KG) | 1.93 | 1.96 | 1.97 | 2.15 | 3.21 | 4.62 | 4.75 | 5.67 | 12.47 | 15.47 |

有源触点 / Active contact

| 型号 CODE | 330EB008G- HBBG-EX | 330EB010G- HBBG-EX | 330EB15G- HBBG-EX | 330EB020G- HBBG-EX | 330EB025G- HBBG-EX | 330EB032G- HBBG-EX | 330EB040G- HBBG-EX | 330EB050G- HBBG-EX | 330EB065G- HCBG-EX | 330EB080G- HDBG-EX |
|------------|-----------------------|-----------------------|----------------------|-----------------------|-----------------------|-----------------------|-----------------------|-----------------------|-----------------------|-----------------------|
| DN | 8 | 10 | 15 | 20 | 25 | 32 | 40 | 50 | 65 | 80 |
| PN | 63 | 63 | 63 | 63 | 63 | 63 | 63 | 63 | 63 | 63 |
| ACT | AEA-EX05H | AEA-EX05H | AEA-EX05H | AEA-EX05H | AEA-EX05H | AEA-EX05H | AEA-EX05H | AEA-EX05H | AEA-EX10H | AEA-EX20H |
| H (mm) | 182.5 | 184.5 | 190 | 233 | 216 | 228 | 244 | 261 | 318 | 385 |
| L1 (mm) | 75 | 75 | 75 | 80 | 90 | 110 | 120 | 140 | 185 | 205 |
| L2 (mm) | 160 | 160 | 160 | 160 | 160 | 160 | 160 | 160 | 196 | 255 |
| 参考重量 (KG) | 2.73 | 2.76 | 2.77 | 2.95 | 3.21 | 4.62 | 4.75 | 5.67 | 12.47 | 15.47 |

无源触点 / Dry contact

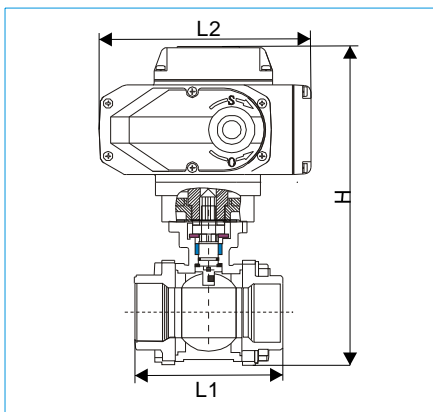
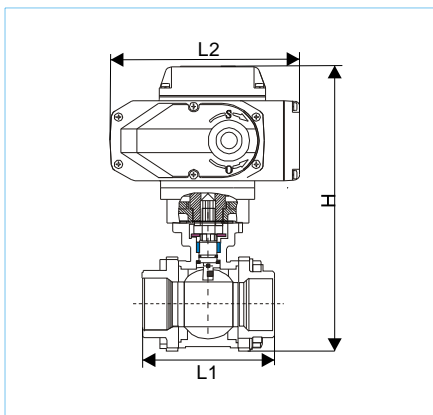
| 型号 CODE | 330EB008G- HBBG-EX | 330EB010G- HBBG-EX | 330EB15G- HBBG-EX | 330EB020G- HBBG-EX | 330EB025G- HBBG-EX | 330EB032G- HBBG-EX | 330EB040G- HBBG-EX | 330EB050G- HBBG-EX | 330EB065G- HCBG-EX | 330EB080G- HDBG-EX |
|------------|-----------------------|-----------------------|----------------------|-----------------------|-----------------------|-----------------------|-----------------------|-----------------------|-----------------------|-----------------------|
| DN | 8 | 10 | 15 | 20 | 25 | 32 | 40 | 50 | 65 | 80 |
| PN | 63 | 63 | 63 | 63 | 63 | 63 | 63 | 63 | 63 | 63 |
| ACT | AEA-EX05 | AEA-EX05 | AEA-EX05 | AEA-EX05 | AEA-EX05 | AEA-EX05 | AEA-EX05 | AEA-EX05 | AEA-EX10 | AEA-EX20 |
| H (mm) | 167 | 169 | 204 | 186 | 216 | 228 | 244 | 261 | 318 | 385 |
| L1 (mm) | 60 | 60 | 75 | 80 | 90 | 110 | 120 | 140 | 185 | 205 |
| L2 (mm) | 72 | 72 | 72 | 72 | 160 | 160 | 160 | 160 | 196 | 255 |
| 参考重量 (KG) | 1.93 | 1.96 | 1.97 | 2.15 | 3.21 | 4.62 | 4.75 | 5.67 | 12.47 | 15.47 |

24VDC

| 型号 CODE | 330EB008G- HBGG-EX | 330EB010G- HBGG-EX | 330EB15G- HBGG-EX | 330EB020G- HBGG-EX | 330EB025G- HBGG-EX | 330EB032G- HBGG-EX | 330EB040G- HBGG-EX | 330EB050G- HBGG-EX | 330EB065G- HCGG-EX | 330EB080G- HDGG-EX |
|------------|-----------------------|-----------------------|----------------------|-----------------------|-----------------------|-----------------------|-----------------------|-----------------------|-----------------------|-----------------------|
| DN | 8 | 10 | 15 | 20 | 25 | 32 | 40 | 50 | 65 | 80 |
| PN | 63 | 63 | 63 | 63 | 63 | 63 | 63 | 63 | 63 | 63 |
| ACT | AEA-EX05H | AEA-EX05H | AEA-EX05H | AEA-EX05H | AEA-EX05H | AEA-EX05H | AEA-EX05H | AEA-EX05H | AEA-EX10H | AEA-EX20H |
| H (mm) | 182.5 | 184.5 | 190 | 233 | 216 | 228 | 244 | 261 | 318 | 385 |
| L1 (mm) | 75 | 75 | 75 | 80 | 90 | 110 | 120 | 140 | 185 | 205 |
| L2 (mm) | 160 | 160 | 160 | 160 | 160 | 160 | 160 | 160 | 196 | 255 |
| 参考重量 (KG) | 2.73 | 2.76 | 2.77 | 2.95 | 3.21 | 4.62 | 4.75 | 5.67 | 12.47 | 15.47 |

380VAC

| 型号 CODE | 330EB008G- HBHG-EX | 330EB010G- HBHG-EX | 330EB15G- HBHG-EX | 330EB020G- HBHG-EX | 330EB025G- HBHG-EX | 330EB032G- HBHG-EX | 330EB040G- HBHG-EX | 330EB050G- HBHG-EX | 330EB065G- HCHG-EX | 330EB080G- HDHG-EX |
|------------|-----------------------|-----------------------|----------------------|-----------------------|-----------------------|-----------------------|-----------------------|-----------------------|-----------------------|-----------------------|
| DN | 8 | 10 | 15 | 20 | 25 | 32 | 40 | 50 | 65 | 80 |
| PN | 63 | 63 | 63 | 63 | 63 | 63 | 63 | 63 | 63 | 63 |
| ACT | AEA-EX05H | AEA-EX05H | AEA-EX05H | AEA-EX05H | AEA-EX05H | AEA-EX05H | AEA-EX05H | AEA-EX05H | AEA-EX10H | AEA-EX20H |
| H (mm) | 182.5 | 184.5 | 190 | 233 | 216 | 228 | 244 | 261 | 318 | 385 |
| L1 (mm) | 75 | 75 | 75 | 80 | 90 | 110 | 120 | 140 | 185 | 205 |
| L2 (mm) | 160 | 160 | 160 | 160 | 160 | 160 | 160 | 160 | 196 | 255 |
| 参考重量 (KG) | 2.73 | 2.76 | 2.77 | 2.95 | 3.21 | 4.62 | 4.75 | 5.67 | 12.47 | 15.47 |



阀体/Body: 不锈钢304/SS304、CF8、1. 4308 (可选/Optional: 不锈钢316/SS316、CF8M、1. 4408; 碳钢/Carbon steel、WCB、1. 0619)

阀座/Seat: PTFE (可选/Optional: R-PTFE、PTFE+CARBON)

连接/Connection: BSP thread F/F (可选/Optional: NPT、PT)
(可选/Optional: 对焊/BW、套焊/SW)

防爆等级/Ex marking: Ex dIIB T4 GB

电压/Voltage: 220VAC (可选/Optional: 110VAC)

带4-20mA输入/输出信号/with 4-20mA input/output signal

(可选/Optional: 1-5VDC输入信号/1-5VDC input signal)

Art: 330MB***G - ***-EX

口径 特别代码

调节型/Modulating model

| 型号 CODE | 330MB008G- HBEG-EX | 330MB010G- HBEG-EX | 330MB015G- HBEG-EX | 330MB020G- HBEG-EX | 330MB025G- HBEG-EX | 330MB032G- HBEG-EX | 330MB040G- HBEG-EX | 330MB050G- HBEG-EX | 330MB065G- HCEG-EX | 330MB080G- HDEG-EX |
|------------|-----------------------|-----------------------|-----------------------|-----------------------|-----------------------|-----------------------|-----------------------|-----------------------|-----------------------|-----------------------|
| DN | 8 | 10 | 15 | 20 | 25 | 32 | 40 | 50 | 65 | 80 |
| PN | 63 | 63 | 63 | 63 | 63 | 63 | 63 | 63 | 63 | 63 |
| ACT | AEA-EX05E | AEA-EX05E | AEA-EX05E | AEA-EX05E | AEA-EX05E | AEA-EX05E | AEA-EX05E | AEA-EX05E | AEA-EX10E | AEA-EX20E |
| H (mm) | 182.5 | 184.5 | 190 | 233 | 216 | 228 | 244 | 261 | 318 | 385 |
| L1 (mm) | 60 | 60 | 75 | 80 | 90 | 110 | 120 | 140 | 185 | 205 |
| L2 (mm) | 160 | 160 | 160 | 160 | 160 | 160 | 160 | 160 | 196 | 255 |
| 参考重量 (KG) | 2.73 | 2.76 | 2.77 | 2.95 | 3.21 | 4.62 | 4.75 | 5.67 | 12.47 | 15.47 |